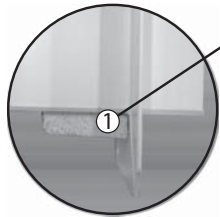


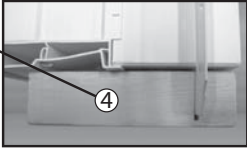
# Vinyl Window Installation Instructions

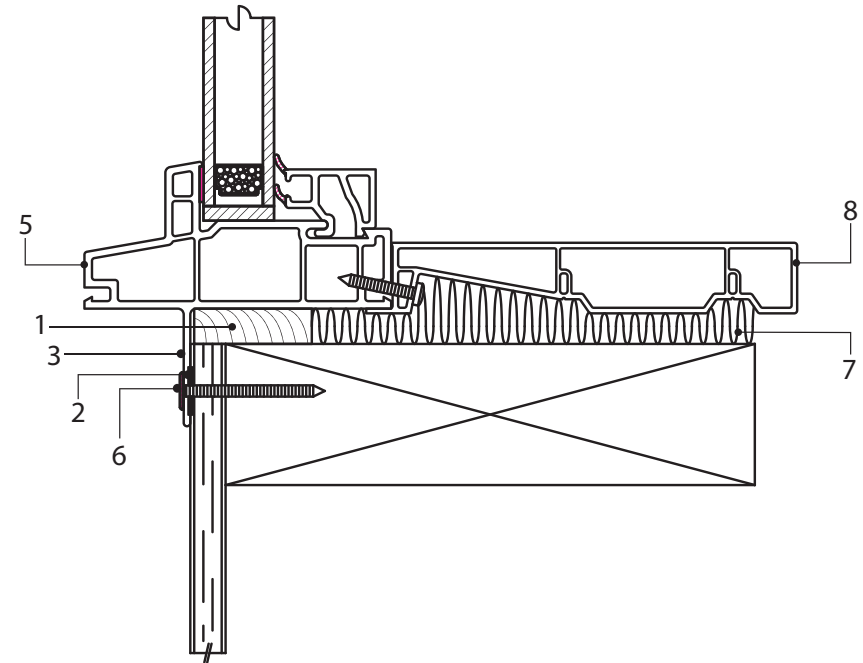


## NOTE:

Factory applied 3/8" Installation blocks (1) are placed at the corners, under all mullions and as required on large windows.

**\*\* DO NOT REMOVE \*\***

- Apply a caulking bead (2) to exterior of the rough opening to seal against the nailing fin (3).
- Remove shipping blocks (4) (not installation blocks) and insert the window into the rough opening. 
- Tack the window at two corners 4" from the corner and ensure that the window is square, plumb and level according to the outside frame (5), **NOT** squared using the jamb extension (8).
- Finish nailing the window in, placing nails (6) in the centre of the slot, every second slot, keeping 4" away from the corners, do not tighten the nail, just snug as to allow for expansion and contraction. It is important to use the correct nail type, something with a large and flat head ie: roofing nails, a minimum 1 1/2" length.
- Insulate (7) **LOOSELY** with fiberglass or non-expanding foam, making sure not to bow the frame or jamb extension (8).



## RULE #1

It is the **CONTRACTOR'S** responsibility to ensure that the sill is level and is not crowned, and that the window is installed square and level.



4705 - 102nd Ave. S.E.  
Calgary, AB T2C 2X7  
(403) 279-2797